

# CAPM cassettes

## Description :

The OPTOKON CAPM cassette offers a convenient and much more reliable alternative to unprotected pigtail splicing or field termination. The CAPM cassettes accept passive fiber optic components such as attenuators, couplers/splitters, WDM and CWDM multiplexers, filters, circulators and many other networking devices. As the fiber optic components have been installed into the CAPM cassettes it is possible to include them into fiber optic networks by using the standard system of Optical Distribution Frames without any need for special distribution frames.

## Types:

- CAPM Not equipped module
- CAPM/P Pigtail module
- CAPM/F Fan-out module
- CAPM/S Splice module
- SFT-CAPM Coupler/Splitter module
- SFW-CAPM WDM/CWDM module

## Parts Assembly:

- Main body
- Top cover
- Front adapter panel
- Rear panel
- Adapters, cable grommet, pigtails, fan-out, ...

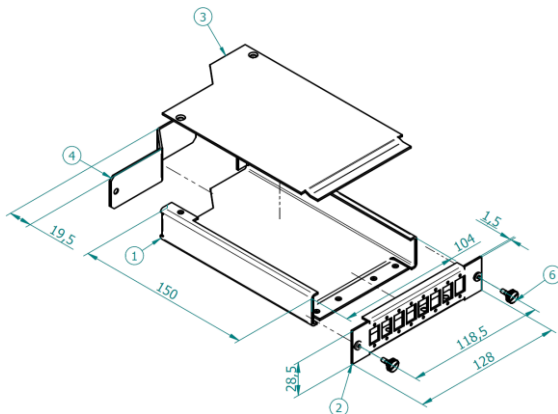
## Applications :

- Preterminated cables
- Pigtail splicing
- Ribbon pigtail
- Splitter/coupler
- WDM, CWDM multiplexers

## Features :

- Factory terminated and 100% tested
- Rugged and secure snap-in modular housing
- Accepts single or ribbon fibers cable
- Cable designed for easy splice preparation
- Wide range of passive fiber optic components
- Reduces installation time

## Dimensions :



## Parts:

- 1) Main body
- 2) Front adapter panel
- 3) Top cover
- 4) Rear entry panel
- 6) Screws CNPM

## 19" installation possibilities

OFDU-CAP – 3U frame for 12x CAPM



FP-1S / FP-1E – 1U front panel for 2x / 3x CAPM



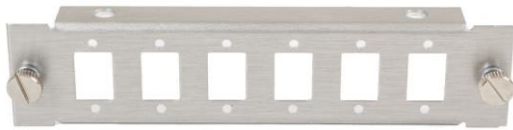
## Ordering Code:

### 1. Not equipped module (empty CAPM cassette)

CAPM - AAA XX		X - XX	
Front Panel Adapter Type		Rear Panel	
<b>SC-06</b>	6 x SC adapter	<b>Cable Entry Type</b>	<b>Adapter Entry Type</b>
<b>SC-08</b>	8 x SC adapter	<b>B</b> blank panel	<b>M</b> MPO (MTP)
<b>E2-06</b>	6 x E2000 adapter	<b>C</b> cable entry panel <sup>1</sup>	<b>SC</b> SC adapter
<b>E2-08</b>	8 x E2000 adapter	<b>A</b> adapter entry panel	<b>E2</b> E2000 adapter
<b>FC-06</b>	6 x FC adapter		<b>FC</b> FC adapter
<b>FC-08</b>	8 x FC adapter		<b>ST</b> ST adapter
<b>ST-06</b>	6 x ST adapter		other on request
<b>ST-08</b>	8 x ST adapter		
<b>MJ-06</b>	6 x MT-RJ adapter		
<b>DSC-03</b>	3 x SC duplex		
<b>DSC-06</b>	6 x SC duplex		
<b>DLC-06</b>	6 x LC duplex		
	other type on request		

Note: 1) including PG9 cable gland  
(cables  $\varnothing$  up to 9.0 mm)

## CAPM components



*front adapter panel E2-06*



*front adapter panel DE2-06*



*front adapter panel DSC-06*



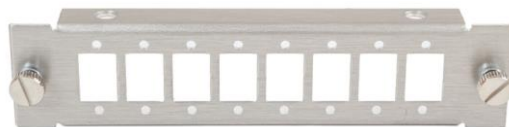
*front adapter panel DSC-03*



*front adapter panel FC-06*



*front adapter panel FC-08*



*front adapter panel SC-08*



*rear entry panel - C*



*rear blank panel - B*



*rear entry panel - C*

## 2. Pigtail module

Includes pre-terminated optical cable, appropriate adapters and PG9 cable grommet (cables  $\varnothing$  up to 9.0 mm)

<b>CAPM/P</b> - <b>XX XXX</b> - <b>XX</b> - <b>XXX(F)<sup>5</sup> X</b> - <b>XX</b>																				
<table border="1"> <tr> <td><b>XX</b> - fibers number up to 12</td> <td><b>XX<sup>2</sup></b> - cable type <b>TB</b> tight buffered <b>UT</b> uni tube <b>RB</b> ribbon</td> <td><b>XXX</b> - type of fiber <b>OM1</b> MM 62.5/125 <math>\mu</math>m <b>OM2</b> MM 50/125 <math>\mu</math>m <b>OM3</b> MM 50/125 <math>\mu</math>m <b>S2D</b> SM G.652D <b>S5X<sup>3</sup></b> SM G.655C-D <b>S7X<sup>3</sup></b> SM G.657A-E</td> <td><b>XX</b> - length (m)</td> </tr> </table>	<b>XX</b> - fibers number up to 12	<b>XX<sup>2</sup></b> - cable type <b>TB</b> tight buffered <b>UT</b> uni tube <b>RB</b> ribbon	<b>XXX</b> - type of fiber <b>OM1</b> MM 62.5/125 $\mu$ m <b>OM2</b> MM 50/125 $\mu$ m <b>OM3</b> MM 50/125 $\mu$ m <b>S2D</b> SM G.652D <b>S5X<sup>3</sup></b> SM G.655C-D <b>S7X<sup>3</sup></b> SM G.657A-E	<b>XX</b> - length (m)																
<b>XX</b> - fibers number up to 12	<b>XX<sup>2</sup></b> - cable type <b>TB</b> tight buffered <b>UT</b> uni tube <b>RB</b> ribbon	<b>XXX</b> - type of fiber <b>OM1</b> MM 62.5/125 $\mu$ m <b>OM2</b> MM 50/125 $\mu$ m <b>OM3</b> MM 50/125 $\mu$ m <b>S2D</b> SM G.652D <b>S5X<sup>3</sup></b> SM G.655C-D <b>S7X<sup>3</sup></b> SM G.657A-E	<b>XX</b> - length (m)																	
<table border="1"> <tr> <td colspan="2">Front panel adapter type<sup>4</sup></td> </tr> <tr> <td><b>XXX</b></td> <td><b>X</b></td> </tr> <tr> <td><b>ST(F)</b> ST</td> <td><b>M</b> Multimode</td> </tr> <tr> <td><b>SC(F)</b> SC</td> <td><b>S</b> Singlemode</td> </tr> <tr> <td><b>FC</b> FC</td> <td><b>A</b> APC</td> </tr> <tr> <td><b>E2(F)</b> LSH (E2000)</td> <td></td> </tr> <tr> <td><b>MJ</b> MT-RJ</td> <td></td> </tr> <tr> <td><b>DSC(F)</b> duplex SC</td> <td></td> </tr> <tr> <td><b>DLC(F)</b> duplex LC</td> <td></td> </tr> <tr> <td><b>MU(F)</b> MU</td> <td></td> </tr> </table>	Front panel adapter type <sup>4</sup>		<b>XXX</b>	<b>X</b>	<b>ST(F)</b> ST	<b>M</b> Multimode	<b>SC(F)</b> SC	<b>S</b> Singlemode	<b>FC</b> FC	<b>A</b> APC	<b>E2(F)</b> LSH (E2000)		<b>MJ</b> MT-RJ		<b>DSC(F)</b> duplex SC		<b>DLC(F)</b> duplex LC		<b>MU(F)</b> MU	
Front panel adapter type <sup>4</sup>																				
<b>XXX</b>	<b>X</b>																			
<b>ST(F)</b> ST	<b>M</b> Multimode																			
<b>SC(F)</b> SC	<b>S</b> Singlemode																			
<b>FC</b> FC	<b>A</b> APC																			
<b>E2(F)</b> LSH (E2000)																				
<b>MJ</b> MT-RJ																				
<b>DSC(F)</b> duplex SC																				
<b>DLC(F)</b> duplex LC																				
<b>MU(F)</b> MU																				

Note: 2) other type – on request

3) **X** – refer to relevant fiber type, for example: S7A – G.657A

4) FC, ST, E2 – up to 8 fibers capacity

5) **F** – fixed adaptors by screws

## 3. Fan-out module

Internal interconnection between MPO/MTP ribbon connector and up to 12 single connectors SC, LC, ...

<b>CAPM/F</b> - <b>XX XXX</b> - <b>XXX(F)<sup>5</sup> X</b> - <b>M</b>																						
<table border="1"> <tr> <td><b>XX</b> - fibers number up to 12</td> <td><b>XXX</b> - type of fiber <b>OM1</b> MM 62.5/125 <math>\mu</math>m <b>OM2</b> MM 50/125 <math>\mu</math>m <b>OM3</b> MM 50/125 <math>\mu</math>m  <b>S2D</b> SM G.652D <b>S5X<sup>3</sup></b> SM G.655C-D <b>S7X<sup>3</sup></b> SM G.657A-E</td> </tr> </table>	<b>XX</b> - fibers number up to 12	<b>XXX</b> - type of fiber <b>OM1</b> MM 62.5/125 $\mu$ m <b>OM2</b> MM 50/125 $\mu$ m <b>OM3</b> MM 50/125 $\mu$ m  <b>S2D</b> SM G.652D <b>S5X<sup>3</sup></b> SM G.655C-D <b>S7X<sup>3</sup></b> SM G.657A-E																				
<b>XX</b> - fibers number up to 12	<b>XXX</b> - type of fiber <b>OM1</b> MM 62.5/125 $\mu$ m <b>OM2</b> MM 50/125 $\mu$ m <b>OM3</b> MM 50/125 $\mu$ m  <b>S2D</b> SM G.652D <b>S5X<sup>3</sup></b> SM G.655C-D <b>S7X<sup>3</sup></b> SM G.657A-E																					
<table border="1"> <tr> <td>Rear adapter MPO/MTP</td> </tr> <tr> <td>Front panel adapter type<sup>4</sup></td> </tr> <tr> <td><b>XXX</b></td> <td><b>X</b></td> </tr> <tr> <td><b>ST(F)</b> ST</td> <td><b>M</b> Multimode</td> </tr> <tr> <td><b>SC(F)</b> SC</td> <td><b>S</b> Singlemode</td> </tr> <tr> <td><b>FC</b> FC</td> <td><b>A</b> APC</td> </tr> <tr> <td>LSH</td> <td></td> </tr> <tr> <td><b>E2(F)</b> (E2000)</td> <td></td> </tr> <tr> <td><b>MJ</b> MT-RJ</td> <td></td> </tr> <tr> <td><b>DSC(F)</b> duplex SC</td> <td></td> </tr> <tr> <td><b>DLC(F)</b> duplex LC</td> <td></td> </tr> <tr> <td><b>MU(F)</b> MU</td> <td></td> </tr> </table>	Rear adapter MPO/MTP	Front panel adapter type <sup>4</sup>	<b>XXX</b>	<b>X</b>	<b>ST(F)</b> ST	<b>M</b> Multimode	<b>SC(F)</b> SC	<b>S</b> Singlemode	<b>FC</b> FC	<b>A</b> APC	LSH		<b>E2(F)</b> (E2000)		<b>MJ</b> MT-RJ		<b>DSC(F)</b> duplex SC		<b>DLC(F)</b> duplex LC		<b>MU(F)</b> MU	
Rear adapter MPO/MTP																						
Front panel adapter type <sup>4</sup>																						
<b>XXX</b>	<b>X</b>																					
<b>ST(F)</b> ST	<b>M</b> Multimode																					
<b>SC(F)</b> SC	<b>S</b> Singlemode																					
<b>FC</b> FC	<b>A</b> APC																					
LSH																						
<b>E2(F)</b> (E2000)																						
<b>MJ</b> MT-RJ																						
<b>DSC(F)</b> duplex SC																						
<b>DLC(F)</b> duplex LC																						
<b>MU(F)</b> MU																						

Note: 3) **X** – refer to relevant fiber type, for example: S7A – G.657A

4) FC, ST, E2 – up to 8 fibers capacity

5) **F** – fixed adaptors by screws



CAPM/F-12xS2D-DSC A-M

#### 4. Splice module

includes pigtails, adapters, PG9 cable grommet - cables  $\varnothing$  up to 9.0 mm, splice protections and splice bridge

**CAPM/S - XX XXX - XXX(F)<sup>5</sup> X**

<b>XX</b> - fibers number up to 12	<b>Front panel adapter type<sup>4</sup></b>	
<b>XXX</b> - type of fiber	<b>XXX</b>	<b>X</b>
<b>OM1</b> MM 62.5/125 $\mu$ m	<b>ST(F)</b> ST	<b>M</b> Multimode
<b>OM2</b> MM 50/125 $\mu$ m	<b>SC(F)</b> SC	<b>S</b> Singlemode
<b>OM3</b> MM 50/125 $\mu$ m	<b>FC</b> FC	<b>A</b> APC
<b>S2D</b> SM G.652D	<b>E2(F)</b> LSH (E2000)	
<b>S5X<sup>3</sup></b> SM G.655C-D	<b>MJ</b> MT-RJ	
<b>S7X<sup>3</sup></b> SM G.657A-E	<b>DSC(F)</b> duplex SC	
	<b>DLC(F)</b> duplex LC	
	<b>MU(F)</b> MU	

Note: 3) **X** – refer to relevant fiber type, for example: S7A – G.657A

4) FC, ST, E2 – up to 8 fibers capacity

5) **F** – fixed adaptors by screws

#### 5. Coupler/Splitter module (including appropriate coupler/splitter and adapters)

For ordering code see Coupler/Splitter datasheet

(CPL\_06-02\_EN-SFT-S35-01x02, CPL\_08-02\_EN-SFT-S35-01xN)

SFT-S35-01X04-25-CAPM-USC



#### 6. WDM module (including appropriate WDM and adapters)

For ordering code see WDM datasheet

(CPL\_03-02\_EN-SFW)

SFW-D35-CAPM-NE2S

