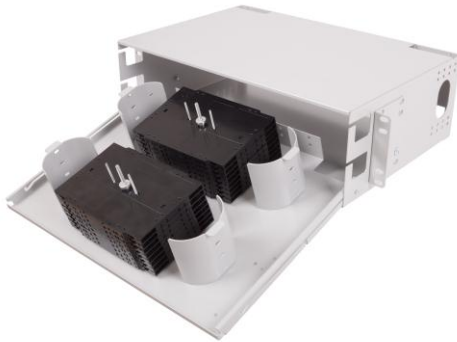


OFDU-S Rack Mount Splice Cabinet

Description:

The OFDU-S cabinet is based on universal optical distribution frames. The unified modular system enables easy reconfiguration and can be extended according to operator requirements. The OFDU-S provides splicing, storage and protection of up to 288 fiber splices in individually accessible trays. The slide-out and swing down shelf enables unrestricted front, rear and top access to the splicing area. Various types of splice trays can be used.



Features:

- Splicing of up to 288 fibers in one cabinet
- Slide-out and drop down shelf
- Aluminum material - low weight and shipment costs
- Bend radius protection enables management and rearrangement of cable slack
- Accepts standard splice trays
- Removable top provides unrestricted access to splice tray and fiber connections
- Cable strain-relief hardware provided
- Durable powder coat finish – RAL 9006

Technical specifications:

PART NUMBER	FIBER CAPACITY		RACK UNITS	DIMENSIONS (HxWxD) mm	SHIP WGT (kg)
	EQUIPMENT	CAPACITY			
OFDU-S2-V1	6 splice cassettes	72	2U	88 x 432 x 305	1.4
OFDU-S2-V2	2 x 6 splice cassettes	144			
OFDU-S3-V1	12 splice cassettes	144	3U	133 x 432 x 305	1.9
OFDU-S3-V2	2x 12 splice cassettes	288			

Note:

V1 – variant: contains one cassette holder and one pair of BRP reels

V2 – variant: contains two cassette holders and two pairs of BRP reels

Cassette montage types:

FIXED

cassettes are mounted to cassette holder with pins, can be browsed by gradual lifting

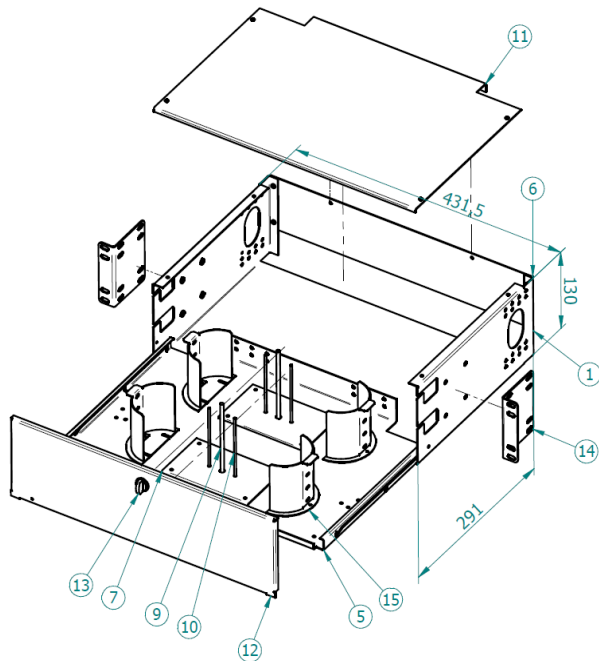


HINGED

first cassette is mounted to cassette holder by screws, next cassettes can be browsed by using hinges



Product information and specification



1	OFDU-BU-X	base unit
5	OFDU-SS	sliding shelf
6	OFDU-RC-X	rear cover
7-10	OFDU-CH-X	cassette holder
11	OFDU-TC	top cover
12	OFDU-DM-X	front door metal (plexi)
13	Key lock / latch	
14	UH-X	unit holder
15	BRP reel	

Ordering Code:

OFDU-SX¹	-	VX	-	XX (H)²	-	XX																
<table border="1"> <tr> <td colspan="2">Version, rack units</td> </tr> <tr> <td>OFDU-S2</td> <td>2U,</td> </tr> <tr> <td>OFDU-S3</td> <td>3U</td> </tr> </table>				Version, rack units		OFDU-S2	2U,	OFDU-S3	3U	<table border="1"> <tr> <td colspan="2">Front door option</td> </tr> <tr> <td>LM</td> <td>Metal door – lock</td> </tr> <tr> <td>ZM</td> <td>Metal door – latch</td> </tr> <tr> <td>LP</td> <td>Plexi door – lock</td> </tr> <tr> <td>ZP</td> <td>Plexi door – latch</td> </tr> </table>			Front door option		LM	Metal door – lock	ZM	Metal door – latch	LP	Plexi door – lock	ZP	Plexi door – latch
Version, rack units																						
OFDU-S2	2U,																					
OFDU-S3	3U																					
Front door option																						
LM	Metal door – lock																					
ZM	Metal door – latch																					
LP	Plexi door – lock																					
ZP	Plexi door – latch																					
<table border="1"> <tr> <td colspan="2">Variant, number of holders</td> </tr> <tr> <td>V1</td> <td>– 1x cassette holder, 1x BRP</td> </tr> <tr> <td>V2</td> <td>– 2x cassette holder, 2x BRP</td> </tr> </table>				Variant, number of holders		V1	– 1x cassette holder, 1x BRP	V2	– 2x cassette holder, 2x BRP	<table border="1"> <tr> <td colspan="2">Number of splice cassettes</td> </tr> <tr> <td>01-24</td> <td>Number of cassettes</td> </tr> </table>			Number of splice cassettes		01-24	Number of cassettes						
Variant, number of holders																						
V1	– 1x cassette holder, 1x BRP																					
V2	– 2x cassette holder, 2x BRP																					
Number of splice cassettes																						
01-24	Number of cassettes																					



Key lock Latch

- Note:
- 1) OFDU-S2: max. 12 splice cassettes: one holder for 6 or two holders for 12 splice cassettes
OFDU-S3: max. 24 splice cassettes: one holder for 12 or two holders for 24 splice cassettes
 - 2) cassette type KNS-12S (datasheet CMS_01-09_KNS_Splice_trays)
Use **H** letter for ordering HINGED montage of cassettes (without H means FIXED montage)



Plexi door with latch



Frame closed with metal door and key lock